

# SITE UPDATE UNIVERSITY OF BUET

by Prof. Dr. Md. Saiful Islam

## 1. Academic Calendar

*Write your academic calendar for 2014, 2015 (if available).*

### A. Undergraduate:

<b>Class &amp; Exam</b>	<b>From</b>	<b>to</b>	<b>Total (weeks)</b>
Class ( including winter vacation)	9-11-2013	14-02-2014	7
Mid-term vacation	15-02-14	21-02-2014	1
Class	22-02-2014	04-04-2014	6
Exam preparation leave	05-04-2014	18-04-2014	2
Final exam	19-04-2014	31-05-2014	5

### B. Post-graduate:

<b>Class &amp; Exam</b>	<b>From</b>	<b>to</b>	<b>Total (weeks)</b>
Class ( including winter vacation)	10-05-2014	18-07-2014	10
Eid-UI_Fitr vacation	19-07-2014	08-80-2014	3
Class	09-08-2014	05-09-2014	4
Exam preparation leave	06-09-2014	19-09-2014	2
Grade sheet distribution	28-09-2014	29-09-2014	2

## 2. Committee Members

*Write your committee members here, including: name, position, contact email, phone number, address, and their photographs:*

### 2. 1 Steering Committee

	<b>Name</b>	<b>Designation</b>	<b>e-mail</b>	<b>Address</b>
1	Prof. Dr. S. M. Nazrul Islam	Vice-Chancellor	vcoffice@buet.ac.bd	BUET, Dhaka-1000, Bnagladesh
2	Prof. Dr. Md. Saiful Islam	Director, IICT	mdsaifulislam@iict.buet.ac.bd	IICT, BUET, Dhaka
3	Prof. Dr. Mohammad Mahfuzul Islam	Head, CSE Department	asmlatifulhoque@cse.buet.ac.bd	CSE Dept, BUET, Dhaka
4	Dr. Md. Liakot Ali	Professor	liakot@iict.buet.ac.bd	IICT, BUET
5	Prof. Dr. Md. Shajada Tarafder	Head	Shahaja68@name.buet.ac.bd	NAME Dept., BUET, Dhaka
6	Prof. Dr. M. Sohel Rahman	Associate Director.	sohel.kcl@gmail.com	IICT, BUET, Dhaka - 1000

### 2. 2 Academic Committee:

<b>Sl no.</b>	<b>Name</b>	<b>Designation</b>	<b>e-mail</b>	<b>Address</b>
1.	Prof. Dr. Md. Saiful Islam	Director, IICT	mdsaifulislam@iict.buet.ac.bd	IICT, BUET, Dhaka

Sl no.	Name	Designation	e-mail	Address
2.	Prof. Dr. M. Sohel Rahman	Associate Director.	sohel.kcl@gmail.com	IICT, BUET, Dhaka - 1000
3.	Dr. Md. Mashud Karim	Profesor	mmkarim@name.buet.ac.bd	Dept. of NAME, BUET, Dhaka
4.	Dr. Md. Liakot Ali	Professor	liakot@iict.buet.ac.bd	IICT, BUET, Dhaka
5.	Dr. Mohammad Shah Alam	Assistant Professor	smalam@iict.buet.ac.bd	IICT, BUET, Dhaka
7.	Ms. Shamim Ara Showkat	Assistant Professor	msara@iict.buet.ac.bd	IICT, BUET, Dhaka
8.	Mr. Mohammad Imam Hasan Bin Asad	Lecturer	ihasan.eee@gmail.com	IICT, BUET, Dhaka

### 2.3 Operation Committee:

Sl no.	Name	Designation	e-mail	Address
1.	Dr. Md. Saiful Islam	Director, IICT	mdsaifulislam@iict.buet.ac.bd	IICT, BUET, Dhaka
2.	Dr. Mohammad Shah Alam	Assistant Professor	smalam@iict.buet.ac.bd	IICT, BUET, Dhaka
3.	Khandaker Al Mamun	Assistant Technical Officer	kmamunbd@yahoo.com	IICT, BUET, Dhaka
4.	Mir Mohammad Abu Sayem	Assistant Programmer	sayem@iict.buet.ac.bd	IICT, BUET, Dhaka
5.	Md. Khorshed Alam	Assistant Technical Officer	Khorshed_iict@yahoo.com	IICT, BUET, Dhaka
6.	Md. Rezaul Hoque Akanda	Principal Instrument Engr.	mrhakanda@yahoo.com	IICT, BUET, Dhaka - 1000

### 3. Distance Learning Environment Update

*Write your distance learning environment here with photograph.*

### 4. Technical Update

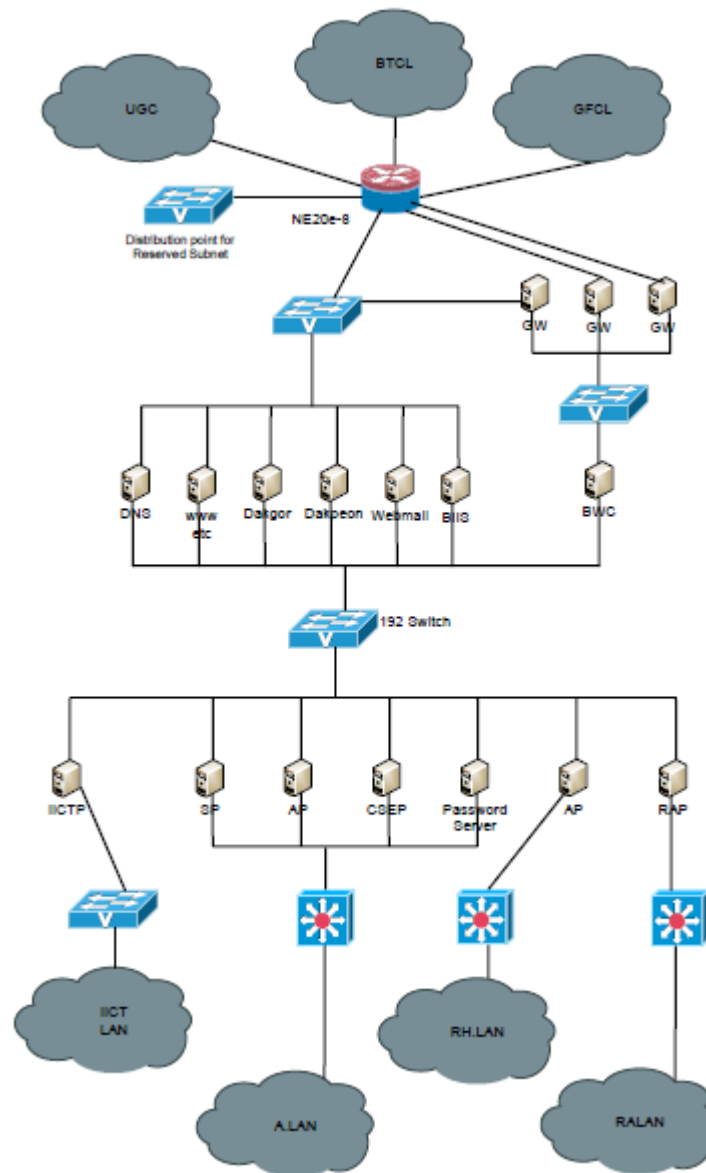
*Write your technical update here.*

There was a problem in the sound system. The problem was solved partially and still the problem persists.

### 5. Network Update

*Write your network update here with network topology.*

*The present structure network diagram of BUET as follows:*



## 6. National Research and Education Network (NREN) update

*Write NREN update here.*

BUET has been connected with Bangladesh Research and Education Network (BdREN) since 2010. Presently BdREN provides 20 Mbps Internet Bandwidth free of cost to BUET and BUET community is connected with academic network like TEIN3, Cambridge university etc.

## 7. Your organization's role in NREN

*Write your organization's role in NREN here with a topology showing how your University connected to NREN.*

The BdREN network diagram is shown in article 5.

## 8. Lecture attending situation

*Write lecture attending situation photograph here.*

1. A group of student/staff of BUET participate in the WASHABI Web development course.
2. Attended the world water day 2014 broadcasted by CONNECT Asia.

### **9. Ideas: how to make student more active to join the class?**

*Write your ideas here.*

*Have you tried your ideas? If yes, please tell us some of the results.*

1. Providing improved quality, attractive lecture and emerging topics should be included.
2. Course based on Internet and IT may be offered with other courses.

### **10. Research and Development in Network, including applications**

*Write the summary of network related research and development here.*

1. BUET authority allocated some fund to provide Internet facility to the students through Wi-Fi based Internet infrastructure in the 8 Residential Halls of the University.
2. IICT, BUET initiated a proposal to establish modern data center (DC) and disaster recovery site (DRS) for the university.

### **11. Will your organization to be host next AI3-SOI-Asia bi-annual meeting?**

*Write your availability to be the host of future AI3/SOI-Asia bi-annual meetings here:*

Fall 2014

Spring 2015

**Fall 2015: BUET is interested to become a host.**